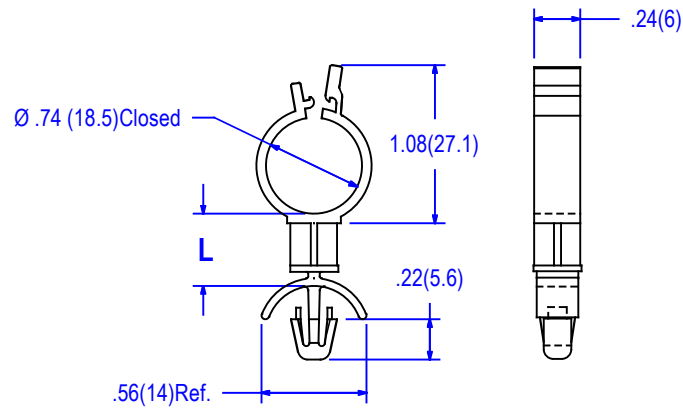


03-78 SERIES



ITEM NO.	L		Mounting hole		Panel thickness	
	In. ±.015	mm. ± 0.4	Dia. ±.003 (0.08) In.	mm.	range In.	mm.
03-78-30	.187	4.8	.187	4.75	.031-.078	0.8 - 2
03-78-40	.250	6.4				
03-78-60	.375	9.5				
03-78-80	.500	12.7				
03-78-100	.625	15.9				
03-78-2-30	.187	4.8	.187	4.75	.078 - .160	2 - 4.
03-78-2-40	.250	6.4				
03-78-2-60	.375	9.5				
03-78-2-80	.500	12.7				
03-78-2-100	.625	15.9				

PACKAGING : 1000 PER BAG

UL 94V-O MATERIAL AVAILABLE UPON REQUEST
TO ORDER ADD SUFFIX "X" TO ITEM NUMBER

MATERIAL	NYLON 66
UL RATING	94V-2
UL FILE NO.	E41938
COLOR	NATURAL
RoHS COMPLIANCE	YES
TEMPERATURE RANGE (REF.)	-40 to 185°F (-40 to 85°C)
MR NUMBER	12

				BY	DATE	Title	
						WIRE ROUTING CLIP, LOCKING ON STAND-OFF	
						Part No.	Issue
						See table	B
B	Added partNo. 03-78-2-100.	10-3-19	FL	DIMENSIONS Inches (mm) Tolerance (unless noted) .xx = ± .010, .xxx = .005			Drwg. type CATALOG File No. 03-78 series
A	Added partNo. 03-78-100.	8-23-19	FL	ALL ELECTRONICS HARDWARE INC. 2642 Corporate Parkway Algonquin, IL. 60102 1-800-778-7234			
No	Revision	Date	Init.				